



# CONE CRUSHER

## 高效复合圆锥破碎机





## 目录 CONTENTS

03-04 公司简介  
COMPANY PROFILE

05-07 加工设备  
PROCESSING EQUIPMENT

08-08 生产工序  
PRODUCTION PROCESSES

09-12 产品配件  
PARTS OF PRODUCT

13-14 产品优势  
PRODUCT ADVANTAGES

15-16 主要部件  
COMPONENTS

17-20 技术参数  
TECHNICAL DATA

21-22 成功案例  
CASES



ISO9001:2008 质量体系认证



欧盟 CE 认证





上海秦路实业有限公司是中国知名的破碎筛分设备供应商。我们为客户提供全系列破碎筛分设备，包括高效复合圆锥破碎机，颚式破碎机，反击式破碎机，立轴冲击式破碎机，振动筛和成套碎石及制砂生产线。本公司已顺利通过 ISO9001:2008 国际质量管理体系认证和欧盟 CE 认证。

我们不仅为客户提供高性价比的产品，还提供一流的服务支持及解决方案。公司配备先进的 Solidworks 三维机械设计系统，培养了一支专业的技术与服务队伍，在全国各地设有办事机构，在不断扩大国内市场占有率的同时，我们的产品也已经出口到俄罗斯、哈萨克斯坦、越南、老挝、泰国、菲律宾、马来西亚、印尼、古巴、多米尼加、巴西、委内瑞拉、哥伦比亚、秘鲁、智利、沙特、约旦、利比亚、赞比亚、刚果等多个国家和地区，因其优良的品质、实用的功能，适中的价格为国内外广大客户所接受。

我们坚持不断地创新，持续改进产品，不断提高产品的可靠性，我们深知成功取决于客户的信赖，立志成为破碎筛分行业的世界品牌。

SHANGHAI KINGLINK INDUSTRY CO., LTD is a renowned crushing and screening machinery equipment provider in China. We provide our clients with a whole series of crushing and screening machinery equipment, including hydraulic cone crusher, jaw crusher, impact crusher, vertical shaft impact crusher, vibrating screen and all complete set of stone crushing and sand making production lines. Our company successfully achieved ISO9001:2008 Quality Management Certificate and EU CE certificate.

Kinglink is able to offer products with high performance as well as quality service support and solutions to our customers home and abroad. We have cultivated a professional engineering team equipping with advanced mechanical design system and one efficient after-sales service team who can respond customers' concerns quickly.

Kinglink has already established the sales and service network at more than 30 provinces in China. As well, we have exported our equipment and plant to different countries and regions around the globe, including USA, Russia, Norway, Vietnam, Laos, Malaysia, Philippine, Peru, Brazil, Columbia, Libya, Zambia, Congo, South Africa, Saudi Arabia and Chile etc. Our products are well recognized by worldwide customers for our quality goods, competitive price and quick responding service.

We stick to innovation, constantly improve our product quality and reliability and strive to become a world renowned brand in the industry of crushing and screening machinery. We understand that our success relies on our clients' confidence.













轧臼壁、破碎壁和上室 CONCAVE / MANTLE AND UPPER CHAMBER



大小齿轮 BIG GEAR AND SMALL GEAR



偏心座 ECCENTRIC SEATING



锥体蕊 MANTLE CORE



传动轴组 TRANSMISSION SHAFT ASSEMBLY



防尘圈 DUST PROOF RING





主机架 MAIN FRAME



球面座 BOWL SEAT



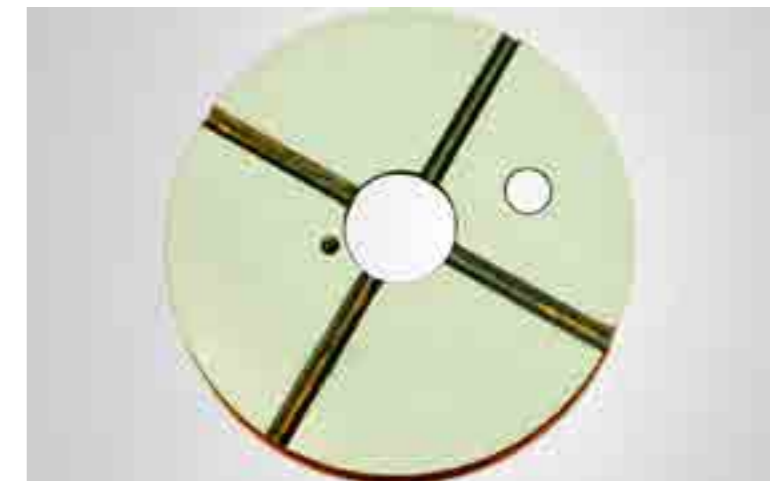
主轴 MAIN SHAFT



铜套 COPPER SLEEVE



球面铜座 BOWL LINER AND SEAT



止推板 THRUST PLATE



传动轴与轴承 TRANSMISSION SHAFT & BEARINGS

## 高强度、坚固的机架 HIGH STRENGTH AND FIRM FRAME

圆锥破本体为箱形铸钢件整体结构，在重载部位高应力点设有加强筋。

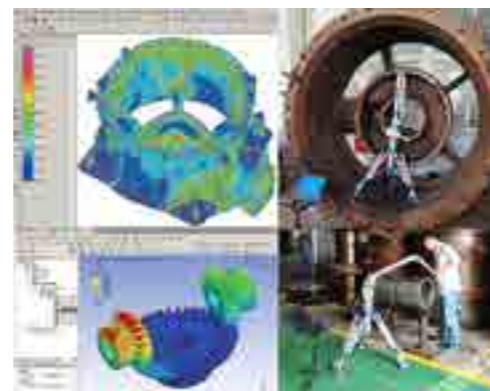
The main body of the cone crusher a box shaped cast steel structure, whose high load areas are reinforced by hard steel.



## 有限元 (FEM) 分析和 FARO 测量 FEM & FARO MEASUREMENT

KL 圆锥破是利用 solidworks 技术进行设计的，且所有型号都经有限元技术分析，使机器达到最佳应力，以确保 KL 圆锥破具有高强度的结构。装配采用 FARO 三维测量，保证了高精度的装配，提升了设备稳定性。

KL cone crusher is designed by solidworks technology, and all models are analyzed by finite element technology to make the machine reach the best stress, so as to ensure that KL cone crusher has high strength structure. Faro three-dimensional measurement is used to ensure high-precision assembly and improve the stability of the equipment.

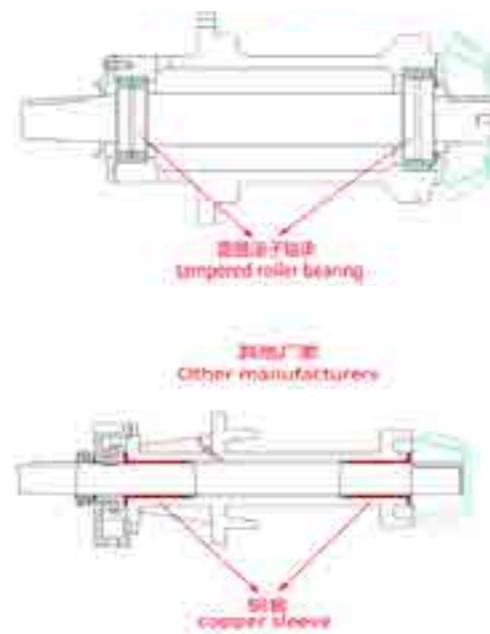


## 高可靠性和实用性源于精细的设计 HIGH RELIABILITY AND PRACTICABILITY ORIGINATES FROM EXCELLENT DESIGN

KL 圆锥破水平传动轴两端用圆锥滚子轴承替代了老式圆锥破的水平轴铜套，转速大幅提高。锥体蕊和球面座之间放置防尘圈，迷宫式密封圈中充满润滑油，防尘圈由放置在球面座内的弹簧撑起，有效防止粉尘侵入。采用电动自动润滑系统，润滑系统也跟主马达相互连结，若压力不足或温度过高时，主机马达会立即停止，以保护主机不受损坏。

KL cone crusher adopts tapered roller bearing to replace the old style horizontal shaft copper sleeve at both ends of the horizontal drive shaft and thus largely improves its rotation speed. Dust proof ring is assembled between the mantle core and the seat liner. The maze O-ring is full of lubrication oil. The dust proof ring is supported by the spring in the seat liner so as to prevent dust from entering. The machine adopts electric automatic lubrication system that connects the main motor. If the pressure is insufficient or the temperature is too high, the main motor stops immediately to prevent the main machine from damage.

KL 系列高效复合圆锥破碎机  
KL Series Compound Cone Crusher



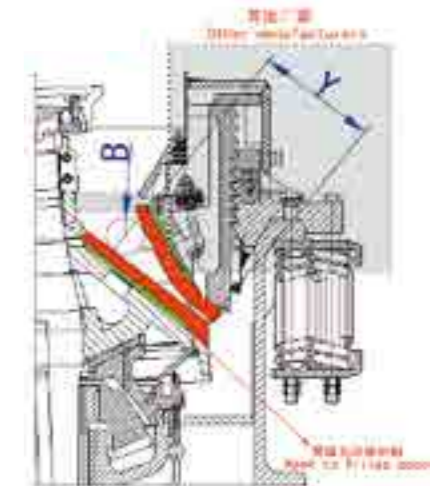
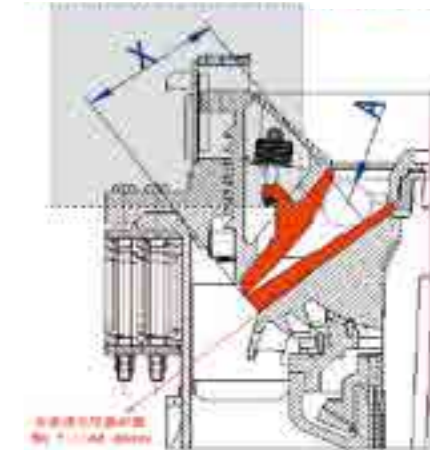
## 高产量、齿板磨耗低易更换 HIGH CAPACITY, LOW COST AND EASY MAINTENANCE

该机具有良好的破碎腔形，增加了有效破碎面，主轴摆动次数大幅提高确定了新一代圆锥破碎机比老式圆锥破增加了 1/3 的产量，还有利于获得细粒级和均匀立方体产品。全部用数控立柱车床加工出的锥体蕊和破碎壁紧密结合，更换齿板时快速简单，不需要填充环氧树脂，大大节约了维修时间，减少了工人劳动强度。层压破碎原理以及优化设计的破碎壁、轧臼壁使用寿命大大提高。传统的圆锥破腔型，进料口小，破碎面有限，产量低，针片状产品含量高。锥体蕊和破碎壁之间需填充环氧树脂，不易更换，故障率高，加大了停机时间，运行不可靠。

Our machine's fine crushing chamber shape increases the effective crushing surface. The machine has the capacity to process larger feed size, increases 1/3 production capacity comparing with other cone crushers and can produce fine particles and cubic products. The mantle core and the crushing chamber are processed by digital control CNC machine, which makes the replacement of wearing plates quick and easy, eliminates the need to fill epoxide resin and improves the operational efficiency.

Traditional cone crusher with the ancient crushing chamber structure, has limited crushing surfaces, low production and produces more elongated and flaky particles content. Epoxide resin needs to be filled between the mantle cone the crushing surface, which makes the replacement difficult, increases the failure rate and machine halt time and causes unstable performance of the machine.

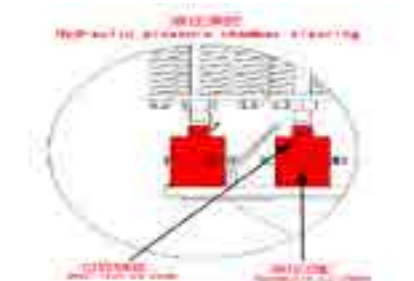
KL 系列高效复合圆锥破碎机  
KL Series Compound Cone Crusher



## 液压清腔及过铁释放机构 HYDRAULIC CLEAR CAVITY

液压清腔是 KL 系列高效复合圆锥破碎机的标准配置，由放置在主体底板上的一组清腔油缸完成。推荐清腔油缸距离为 75mm，全自动结构采用的一组清腔油缸同时也作用于过铁释放保护。

Hydraulic pressure cylinder device can achieves iron release and quick chamber clearing by its some hydraulic cylinders. The recommended jacking distance is no more than 75 mm.



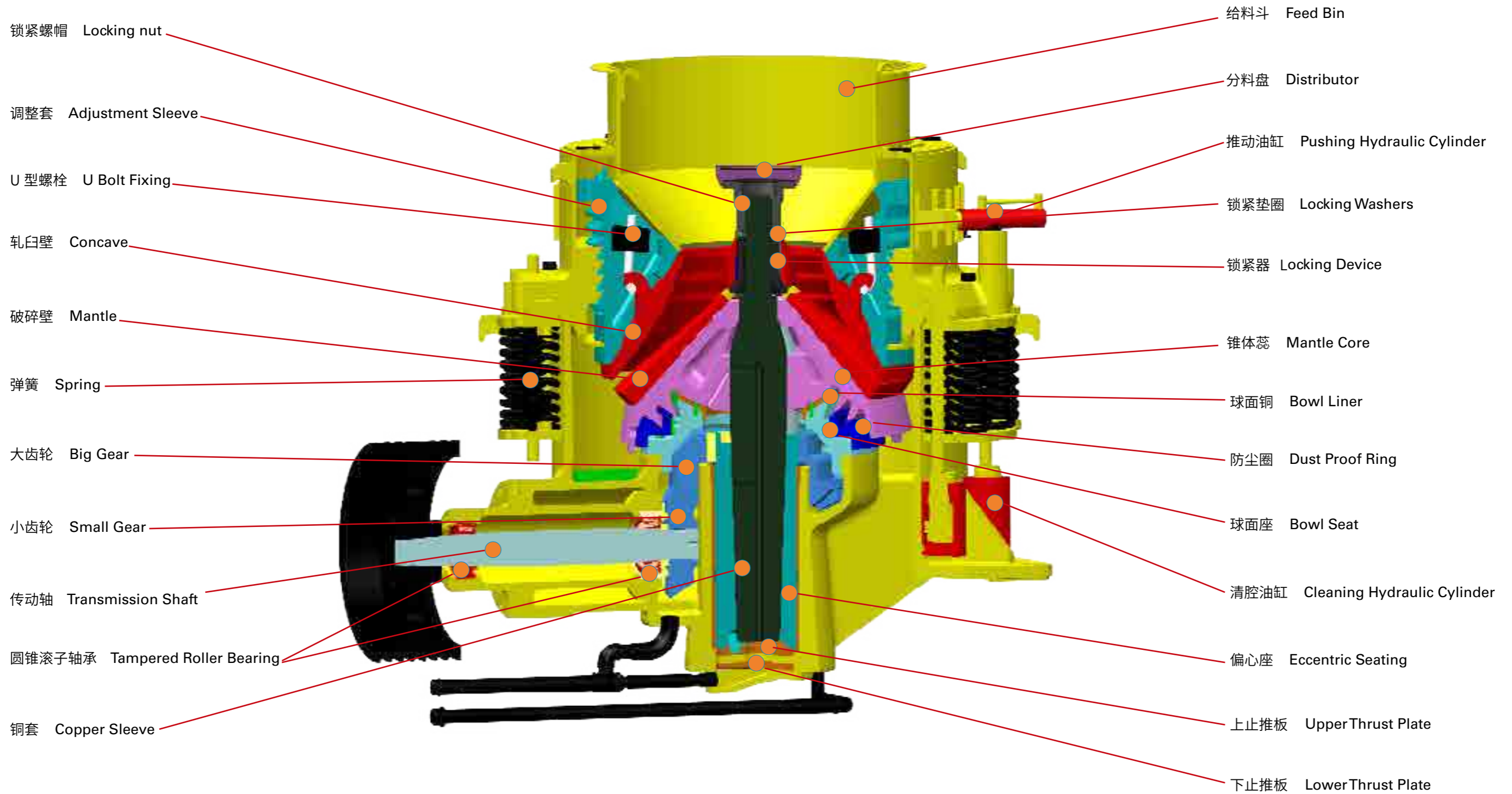
## 液压调整机构 HYDRAULIC ADJUSTMENT OF MECHANISM

本机 包含液压调整机构，便于快速调整破碎机排料口大小，还可以迅速清理破碎腔，大大减少停机时间。

The machine is installed with hydraulic pressure adjustment device so as to quickly adjust the discharge gap and clear the crushing chamber and therefore reduce the time of machine halt.









型号 Model	腔型 Cavity	破碎直径 Cone Diameter		最大进料粒度 Max Feed Size		最小排料尺寸 Min Discharge Size		转速 Speed RPM	电机功率 Main Motor Power kW	重量 Weight T	闭边排料口【mm】产量 (TPH) Capacity(t/h) in different discharge size(mm)									
		inch	mm	inch	mm	inch	mm				1/4"	3/8"	1/2"	5/8"	3/4"	7/8"	1"	1 1/2"	2"	2 1/2"
											6	10	13	16	19	22	25	38	51	64
KLC600	Coarse	24"	600	3 3/4"	95	3/8"	10	630	37-55	5.3		20	25	30	35	45	50	76		
KLF600	Fine	24"	600	3"	72	1/4"	6	630	37-55	5.3	18	20	25	30	35	40	45	60		
KLC1000	Coarse	40"	1016	6 5/16"	160	1/2"	13	630	90-110	10.8			80	100	135	150	175	235		
KLM1000	Medium	40"	1016	4 1/2"	115	3/8"	10	630	90-110	10.8		65	75	90	120	135	150			
KLF1000	Fine	40"	1016	3 3/16"	80	5/16"	8	630	90-110	10.8	52	62	72	78	115					
KLC1160	Coarse	45"	1143	7 1/8"	180	1/2"	13	630	110-132	16			115	135	150	180	200	260		
KLM1160	Medium	45"	1143	5 1/8"	130	3/8"	10	630	110-132	16		100	110	120	135	165	175			
KLF1160	Fine	45"	1143	3 1/2"	90	3/8"	10	630	110-132	16		80	105	110	140					
KLC1300	Coarse	51"	1296	7 7/8"	200	5/8"	16	610	132-160	23				150	180	200	230	310	390	
KLM1300	Medium	51"	1296	6"	150	1/2"	13	610	132-160	23			115	140	160	190	210			
KLF1300	Fine	51"	1296	4"	102	3/8"	10	610	132-160	23		90	115	145	160					
KLC1380	Coarse	54"	1372	8 1/2"	215	3/4"	19	610	185-220	27					200	220	260	350	440	
KLM1380	Medium	54"	1372	6 5/16"	160	5/8"	16	610	185-220	27				155	180	200	220			
KLF1380	Fine	54"	1372	4 1/2"	115	1/2"	13	610	185-220	27			150	190	210	230				
KLC1500	Coarse	60"	1524	9 1/4"	235	7/8"	22	560	220-250	37.8						265	310	420	525	580
KLM1500	Medium	60"	1524	7"	175	3/4"	19	560	220-250	37.8					215	240	265	320		
KLF1500	Fine	60"	1524	5 1/8"	130	1/2"	13	560	220-250	37.8			180	210	235	255	275			
KLC1680	Coarse	66"	1676	10 1/2"	267	7/8"	22	560	250-300	44.3						330	390	525	655	725
KLM1680	Medium	66"	1676	8"	203	5/8"	16	560	250-300	44.3				210	250	280	300			
KLF1680	Fine	66"	1676	5 1/2"	140	1/2"	13	560	250-300	44.3			180	220	260	335				

注：1. 上述生产能力是破碎物料密度为 1.6T/m<sup>3</sup> 时开路生产中总吨数；生产能力与破碎物料的物理性能、給料方式、进料粒度及其组成等工况有关，实际产能因不同条件可能有 ± 25% 误差。

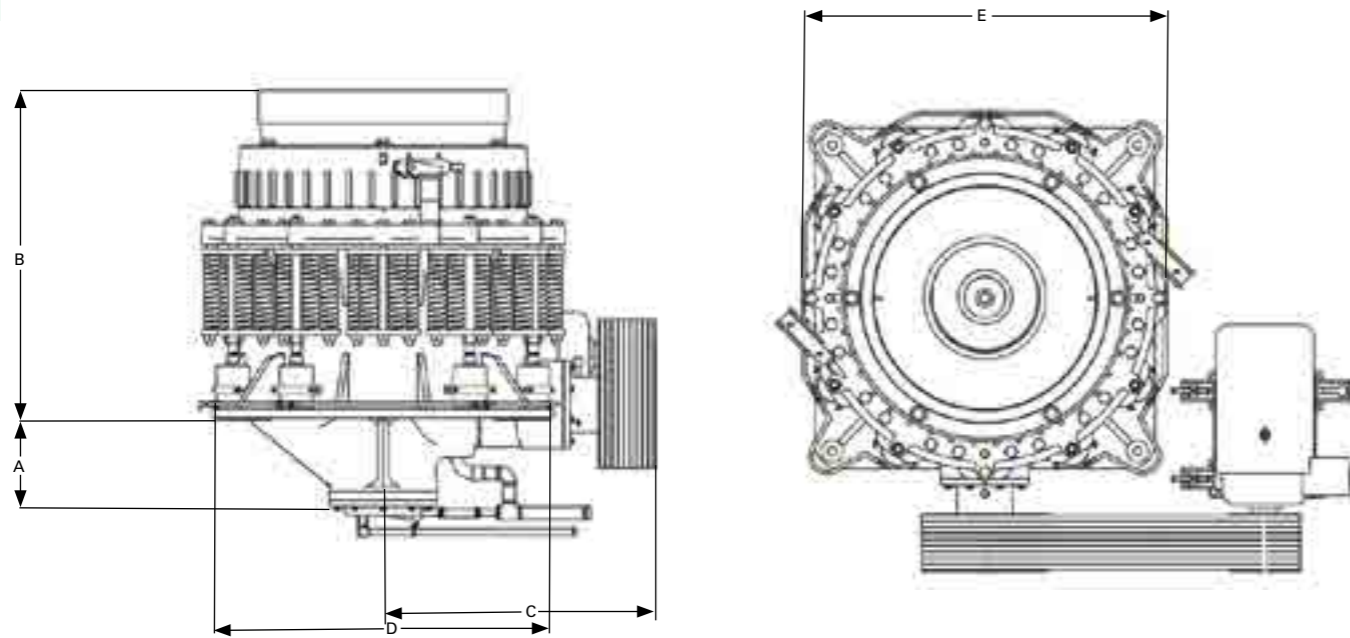
2. Coarse= 粗型 Medium= 中型 Fine= 细型

3. 以上技术参数仅供参考，如有变动恕不另行通知。

Note:1)Above parameters based on rock density 1.6t/m<sup>3</sup>,compressive strength <150MPa,moisture content<20%.

2)Processing capacity influence by uniform feeding,grain size,hardness,rock types,feeding speed etc.





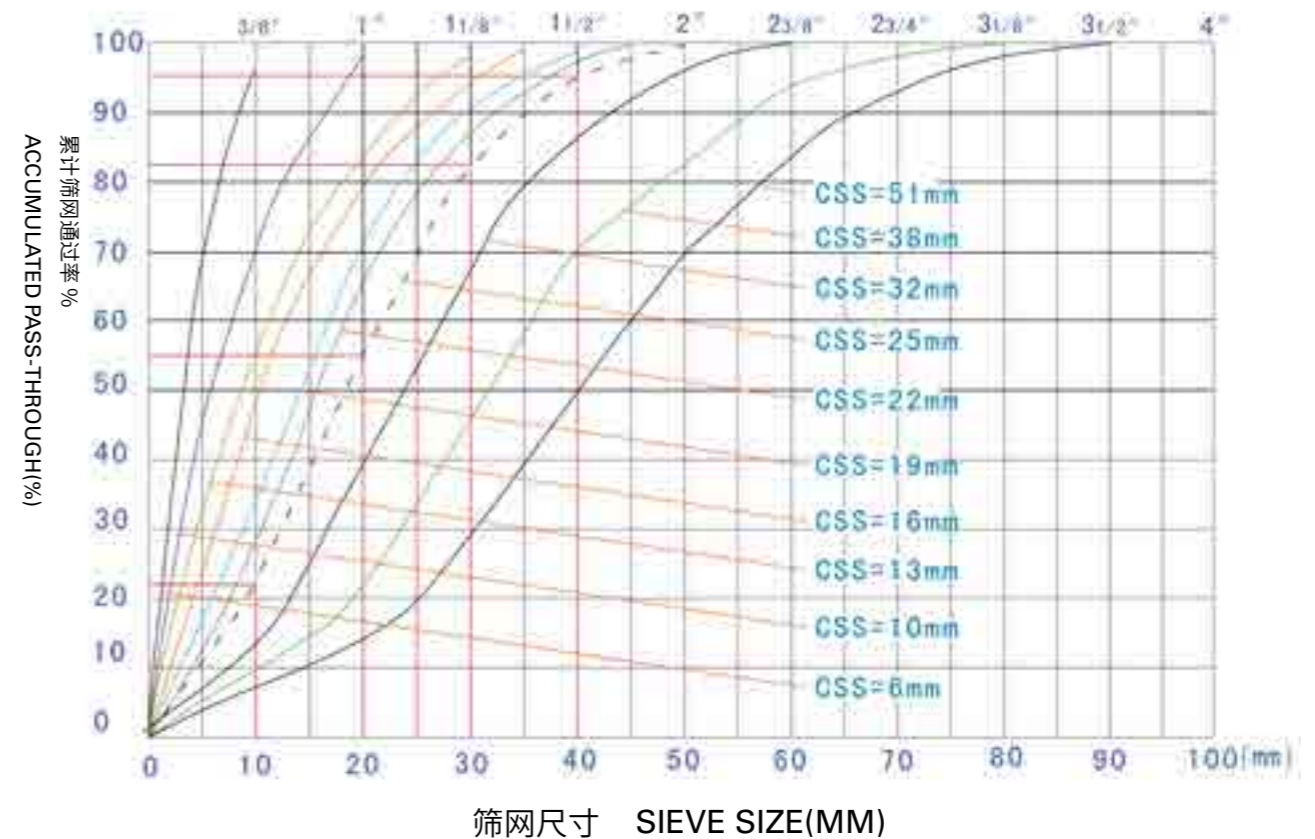
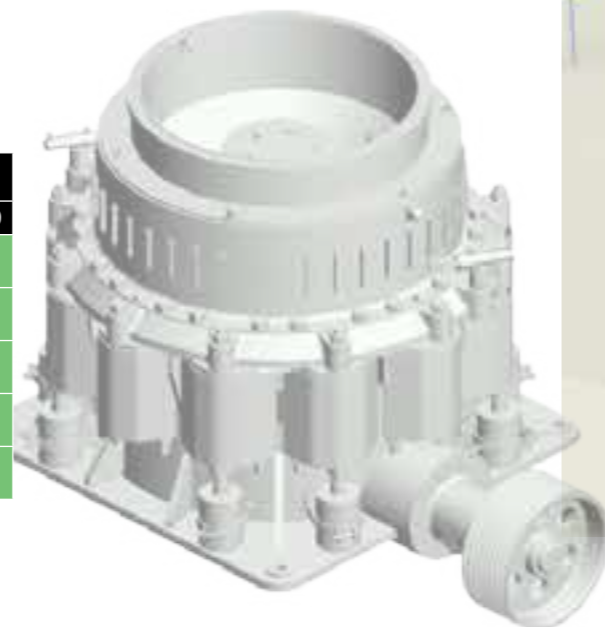
剖面 Section	型号 Model	KL600		KL1000		KL1160		KL1300		KL1380		KL1500		KL1680	
		(in)	(mm)	(in)	(mm)	(in)	(mm)	(in)	(mm)	(in)	(mm)	(in)	(mm)	(in)	(mm)
A		13.1	335	13.4	340	18.5	470	21.8	554	24.2	615	24.6	625	29.3	745
B		45.6	1159	65	1650	67.5	1715	81.5	2070	85.3	2168	92.9	2361	111.6	2835
C		40.3	1024	53.2	1351	57.9	1471	27	1685	68.1	1730	77.2	1961	80	2034
D		46.4	1180	60.2	1530	69.3	1760	81.5	2070	86.6	2200	96.4	2450	112.6	2860
E		48.4	1230	81	2057	93.4	2372	103.5	2630	93.8	2384	103.1	2620	118.5	3010

注：所有尺寸仅供参考，以实际尺寸为准  
 \_All dimensions are for reference only and are not to be used for construction.

## 主要部件重量 WEIGHT OF MAJOR SUB-ASSEMBLIES

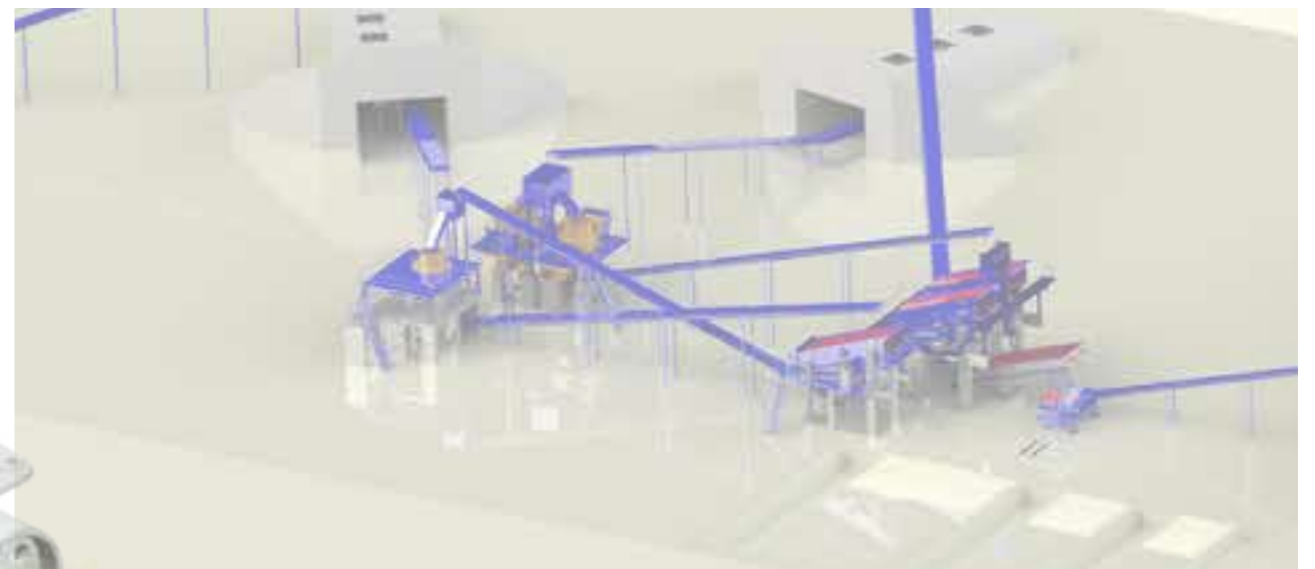
部件 Parts	型号 Model	主要部件的近似重量 (吨) Approx. Weights Of Main Partas Assembly(TONS)					
		KL600	KL1000	KL1160	KL1300	KL1380	KL1500
下机架+上机架 Lower Frame+Top Frame		2.25	5.3	7.3	11	13	17.6
主机架+上机架 Main Frame-Top Frame		0.85	2.2	3.2	4.4	5.5	7.9
偏心座 Eccentric Seat		0.25	0.5	0.65	1.1	1.25	2.1
主轴 Main Shaft		0.48	1.3	2.1	3.1	3.75	5.9
传动轴 Counter-Shaft		0.34	0.6	0.75	1.0	1.0	1.7

注：所有参数仅供参考  
 All parameters are for reference only.



物料和破碎曲线是相对的，以实际测试数据为基础。如果物料不同，显示的产品通过能力也将有所不同，更多相关信息请咨询秦路实业。

The crushing curve is based on the testing data and varies from different feeding materials. Please consult KINGLINK for more information you may need.











Quality And Service Link The World

“幸福都是奋斗出来的”—— 习近平

## 上海秦路实业有限公司

地址：上海市浦东新区沈梅路 123 弄 3 号楼

电话：+86-21-2095 8317

传真：+86-21-2095 9271

手机：+86-15601968455

邮箱：info@kinglink-china.com

网站：www.kinglink-china.cn

## SHANGHAI KINGLINK INDUSTRY CO LTD

Address: Building 3, Lane 123, Shenmei Road,  
Pudong District, Shanghai, China

Tel: +86-21-2095 8317

Fax: +86-21-2095 9271

Mobile: +86-15601968455

Email: info@kinglink-china.com

Web: www.kinglink-china.com